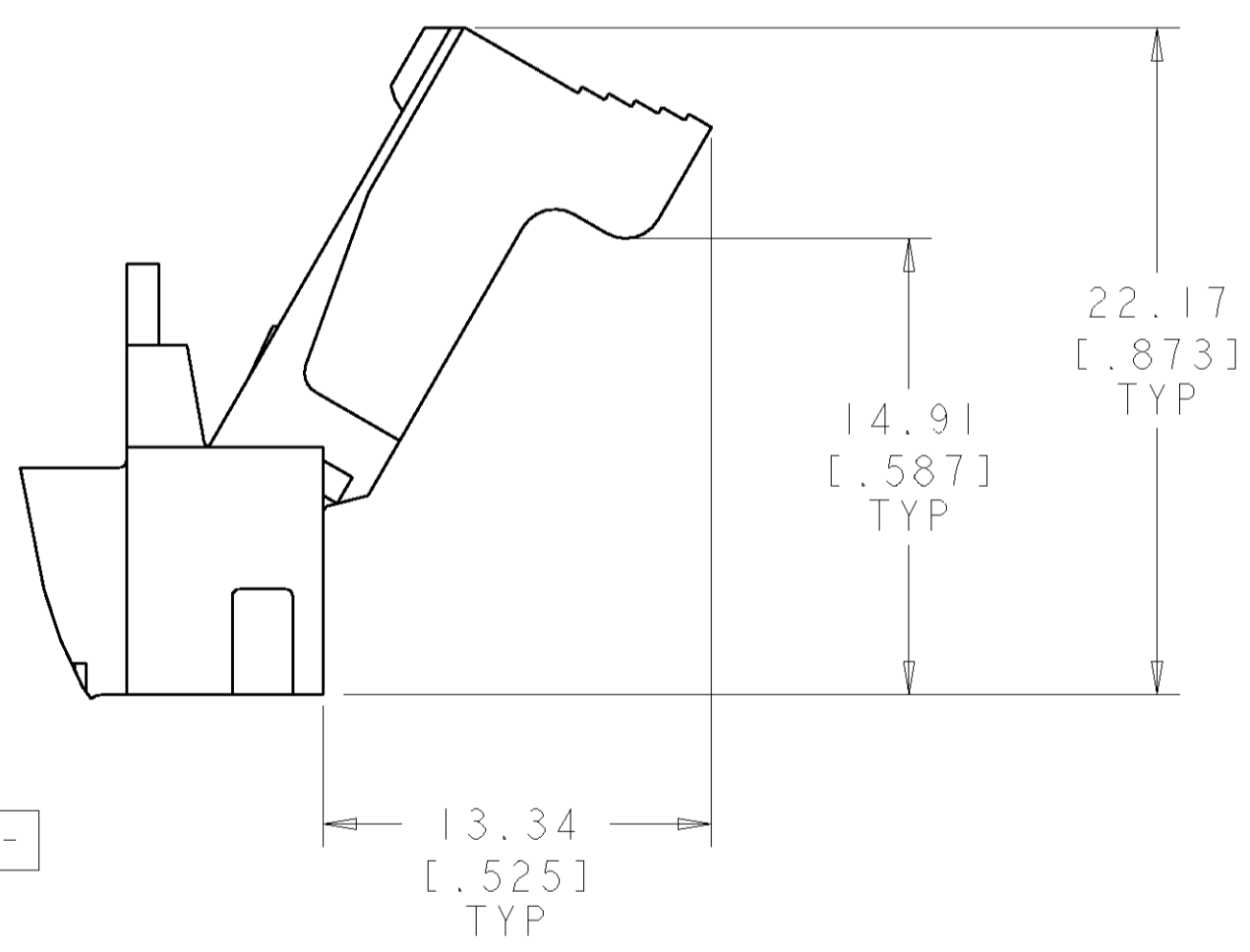
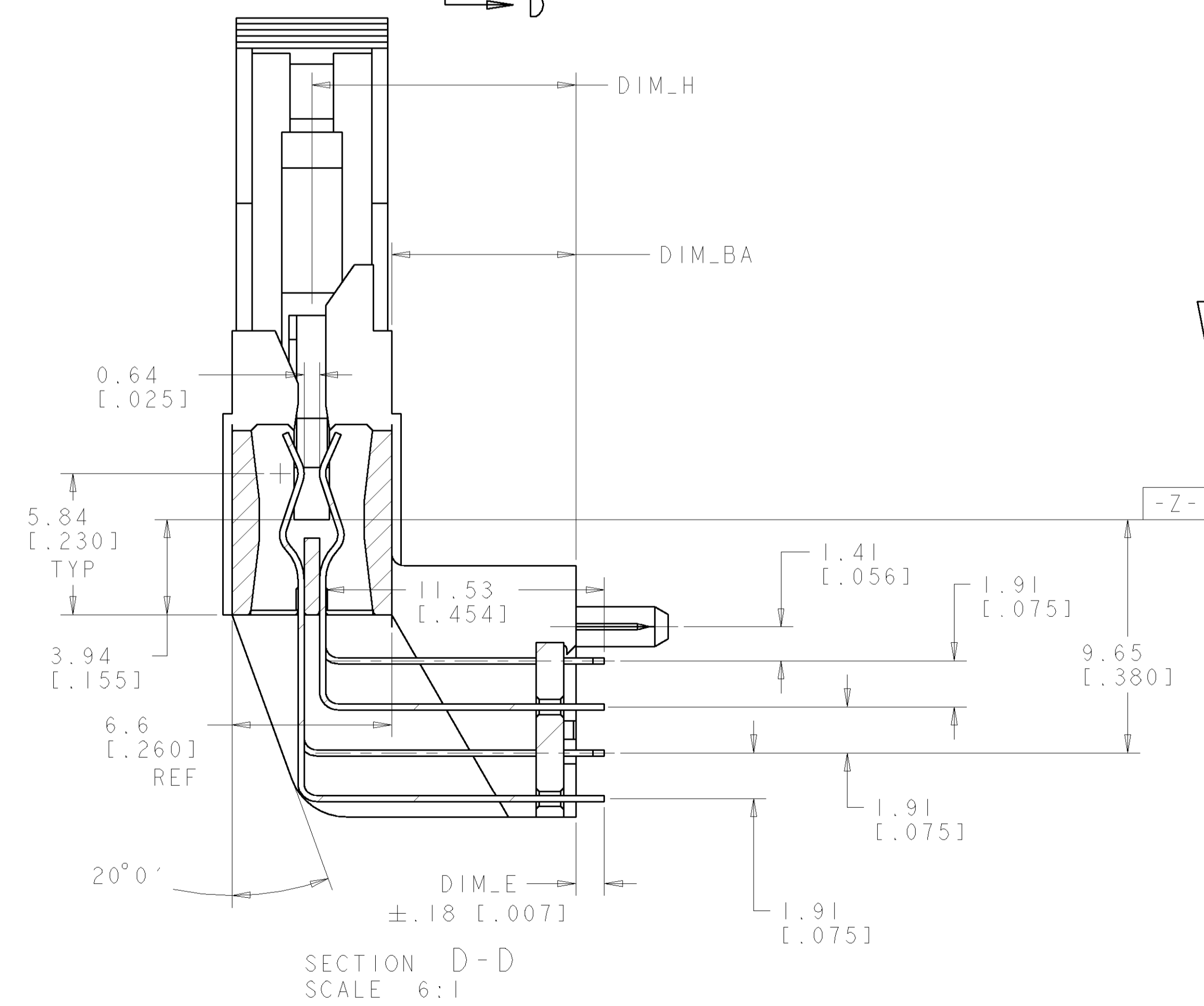
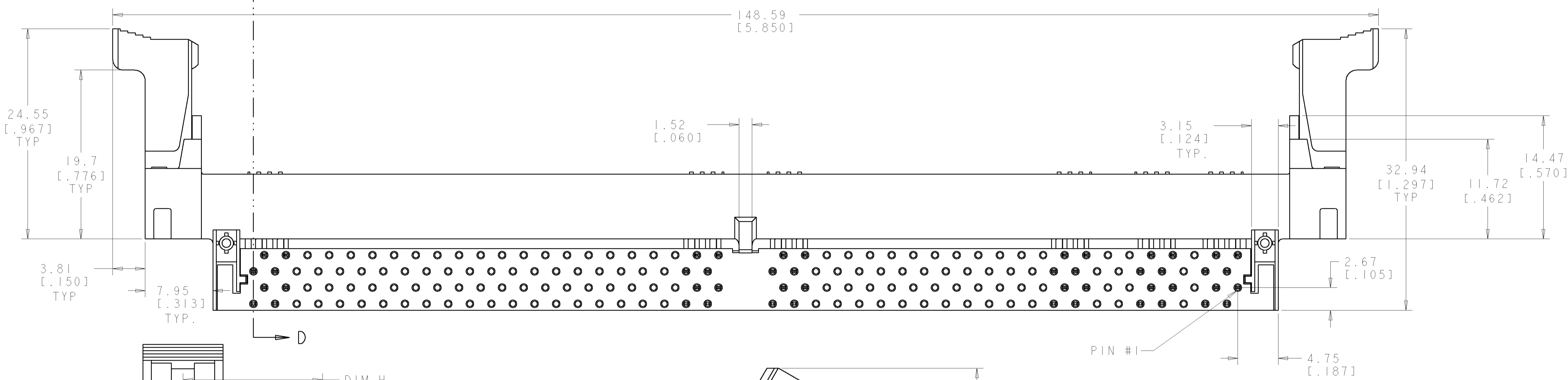
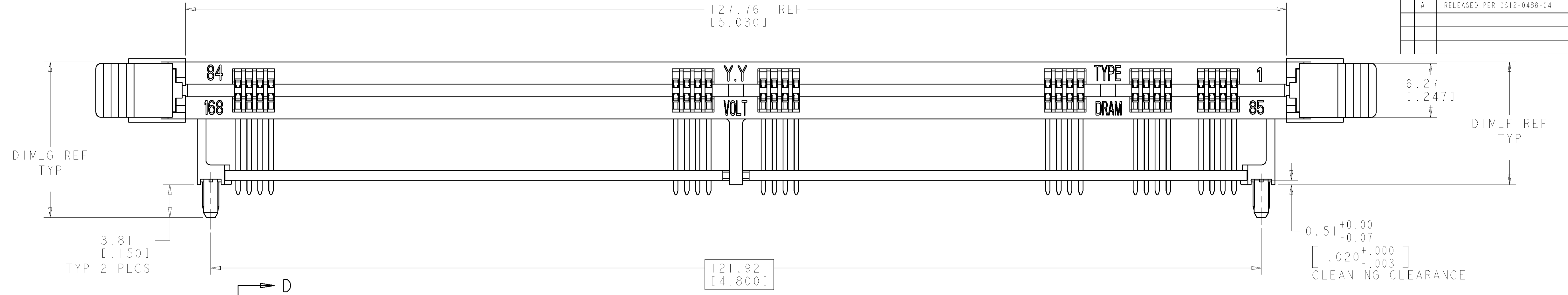


LOC		DIST		REVISIONS			
GP	0	P	LTR	DESCRIPTION	DATE	DWN	APVD
		A		RELEASED PER 0512-0488-04	12JAN05	MY	SB

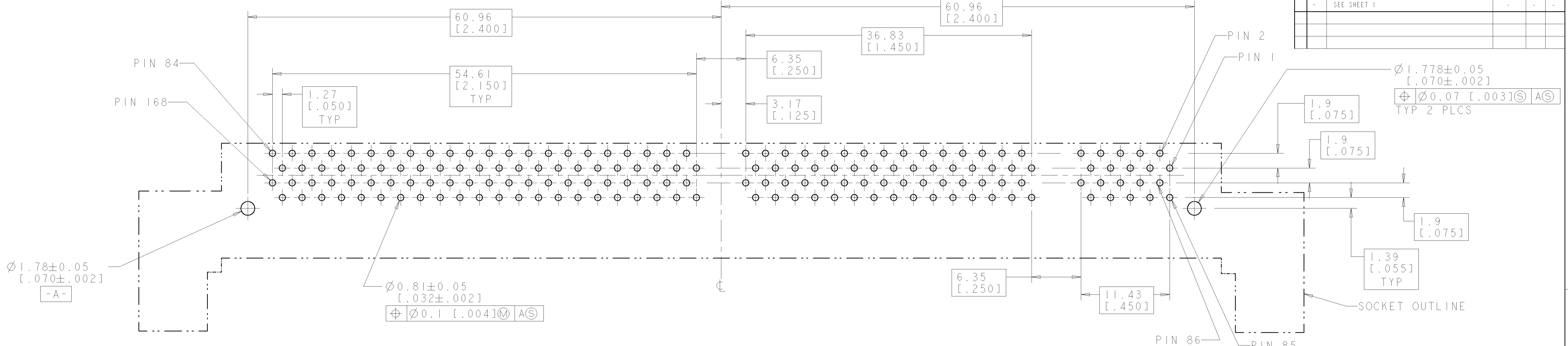


NOTES:

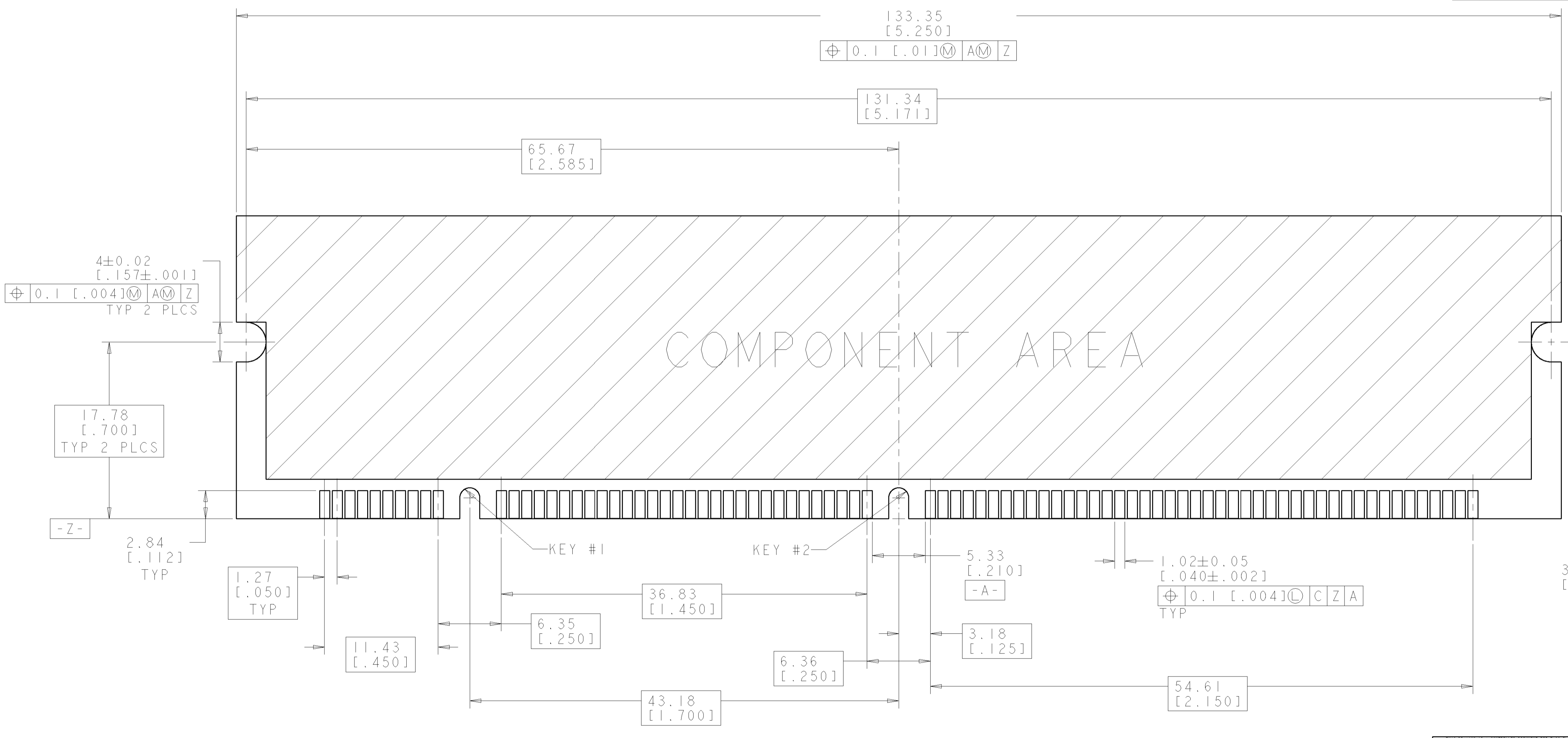
- ⚠ MATERIAL:
HOUSING:
HIGH TEMPERATURE NYLON
CONTACT:
PHOSPHOR BRONZE
- ⚠ FINISH:
CONTACT AREA:
0.00076 [.000030] MIN THICK GOLD OVER
0.001270 [.000050] MIN THICK NICKEL.
OR
0.000076 [.000003] MIN THICK GOLD FLASH OVER
0.000510 [.000020] MIN THICK PALLADIUM NICKEL OVER
0.001270 [.000050] MIN THICK NICKEL.
SOLDERTAIL:
0.00381 [.000150] MIN THICK MATTE TIN OVER
0.00064 [.000025] MIN THICK NICKEL.
- ⚠ FOR OPTIMUM PERFORMANCE, PADS SHOULD BE SMOOTH AND FLAT)
PADS TO BE PLATED WITH:
0.00102 [.000040] MIN THICK GOLD OVER
0.00127 [.000050] MIN THICK NICKEL.

DIMENSIONS: mm [INCHES]		TOLERANCES UNLESS OTHERWISE SPECIFIED:		DWN M. YEOMANS 12JAN05		tyco Electronics		Tyco Electronics Harrisburg, PA 17105-3608	
0 PLC	±	0.13 [.005]	±	ENR M. YEOMANS 12JAN05	12JAN05	NAME	SOCKET, DRO, RT ANGLE, VERSION 11, 168 POSITION, 17.78mm LOCKING EXTRACTORS (NO BARB)		
1 PLC	±	0.13 [.005]	±	APVD S. BURKHOLDER	12JAN05	PRODUCT SPEC	-		
2 PLC	±	0.13 [.005]	±	APPLICATION SPEC	-	SIZE	CAGE CODE	DRAWING NO	RESTRICTED TO
3 PLC	±	0.13 [.005]	±	WEIGHT	-	A1	00779	5390172	-
4 PLC	±	0.13 [.005]	±	CUSTOMER DRAWING	-	SCALE	4:1	SHEET	1 OF 3
ANGLES	± 1°					REV			A

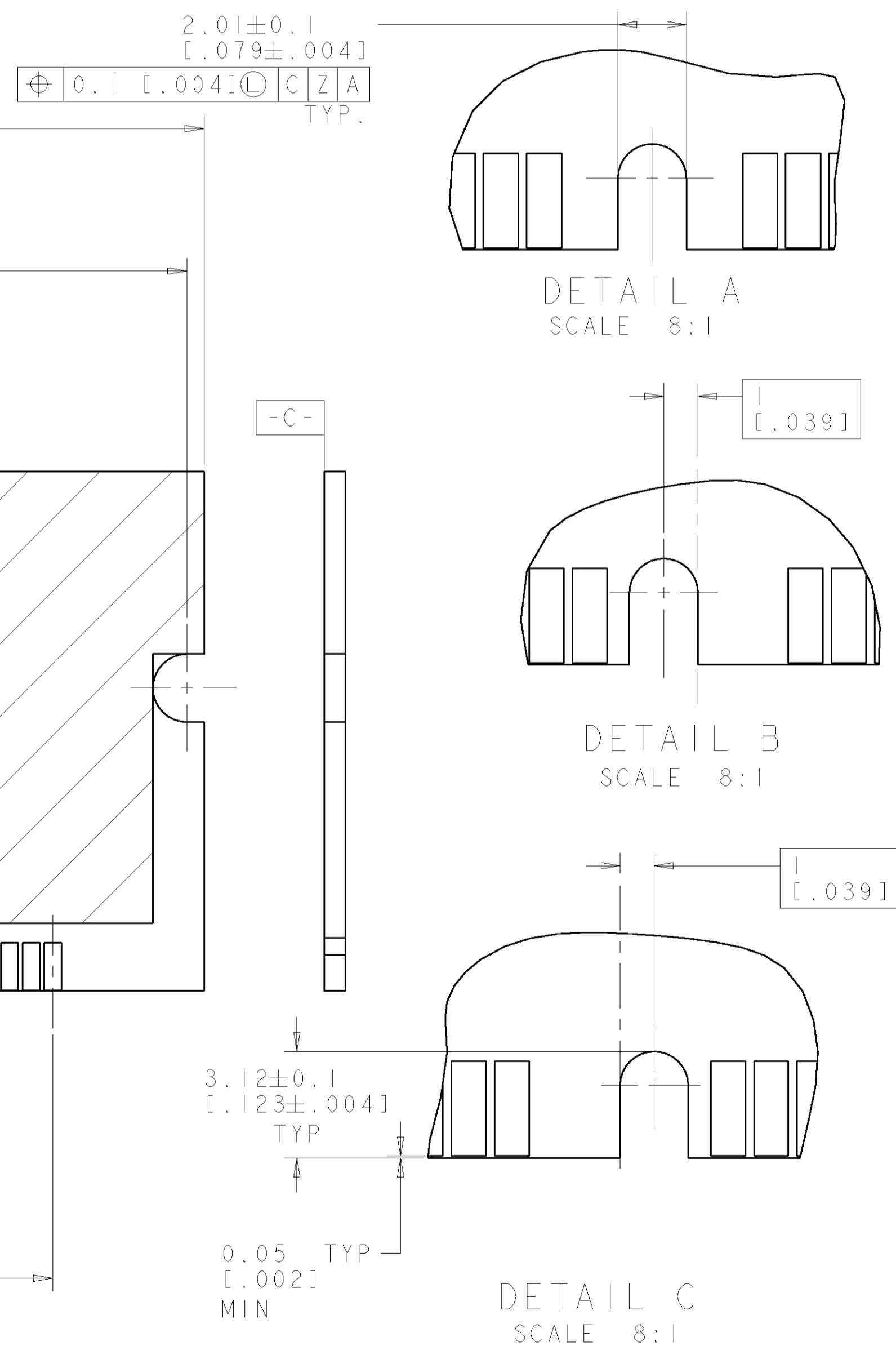
LOC	DIST	REV	DESCRIPTION	DATE	BY	APPD
GP	0		SEE SHEET 1			



RECOMMENDED CIRCUIT BOARD HOLE LAYOUT



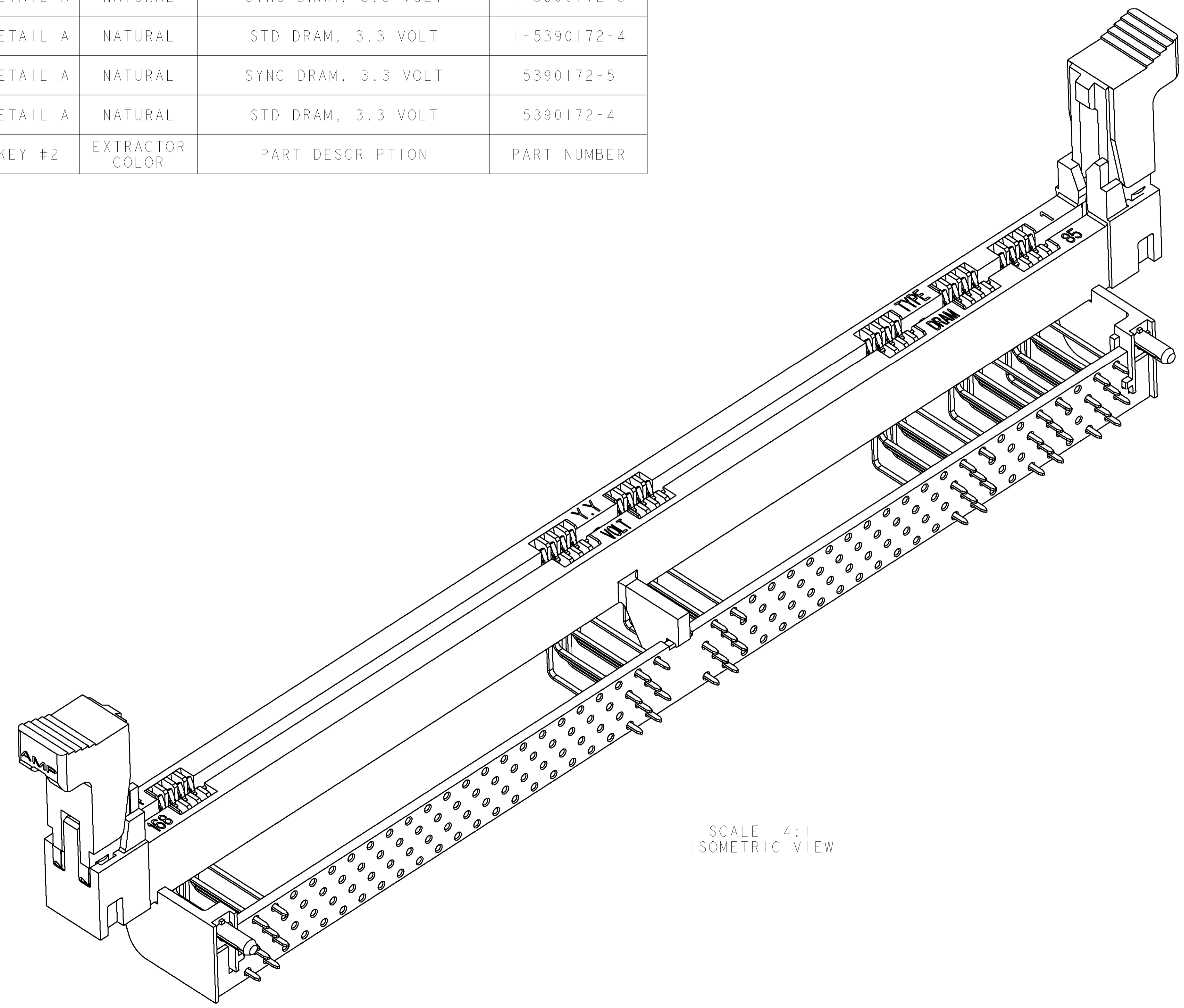
RECOMMENDED MODULE LAYOUT
 SEE JEDEC SPEC. MO-161 FOR COMPLETE MODULE DETAILS
 1.27 ± 0.10 [0.050 ± 0.004] THICK ACROSS CONTACT PADS



DIMENSIONS: mm [INCHES]		TOLERANCES UNLESS OTHERWISE SPECIFIED: 0 PLC ± 1 PLC ± 2 PLC ± 3 PLC ±0.13(.005) 4 PLC ± ANGLES ° ±		DWN M. YEOMANS 12JAN05 ENR M. YEOMANS 12JAN05 APVD S. BURKHOLDER 12JAN05		tyco Electronics Tyco Electronics Harrisburg, PA 17105-3608	
MATERIAL FINISH		WEIGHT FINISH		NAME SOCKET, DRO, RT ANGLE, VERSION 11, 168 POSITION, 17.78mm LOCKING EXTRACTORS (NO BARB)		SIZE CAGE CODE DRAWING NO. RESTRICTED TO A1 00779 C=5390172	
CUSTOMER DRAWING				SCALE 4:1		SHEET 2 OF 3 REV A	

LOC	DIST	REVISIONS					
GP	0	P	LTR	DESCRIPTION	DATE	DWN	APVD
		-	-	SEE SHEET 1	-	-	-

NB	3.3	9.27 [.365]	16.38 [.645]	12.57 [.495]	3.56 [.140]	5.97 [.235]	DETAIL C	DETAIL A	NATURAL	SYNC. NON-BUFFERED DRAM, 3.3 VOLT	6-5390172-6
NB	3.3	9.27 [.365]	16.38 [.645]	12.57 [.495]	2.84 [.112]	5.97 [.235]	DETAIL C	DETAIL A	GRAY	SYNC. NON-BUFFERED DRAM, 3.3 VOLT	5-5390172-6
NB	3.3	9.27 [.365]	16.38 [.645]	12.57 [.495]	2.84 [.112]	5.97 [.235]	DETAIL C	DETAIL A	NATURAL	SYNC. NON-BUFFERED DRAM, 3.3 VOLT	1-5390172-6
SYNC	3.3	9.27 [.365]	16.38 [.645]	12.57 [.495]	2.84 [.112]	5.97 [.235]	DETAIL B	DETAIL A	NATURAL	SYNC DRAM, 3.3 VOLT	1-5390172-5
STD	3.3	9.27 [.365]	16.38 [.645]	12.57 [.495]	2.84 [.112]	5.97 [.235]	DETAIL A	DETAIL A	NATURAL	STD DRAM, 3.3 VOLT	1-5390172-4
SYNC	3.3	9.27 [.365]	16.38 [.645]	12.57 [.495]	1.96 [.077]	5.97 [.235]	DETAIL B	DETAIL A	NATURAL	SYNC DRAM, 3.3 VOLT	5390172-5
STD	3.3	9.27 [.365]	16.38 [.645]	12.57 [.495]	1.96 [.077]	5.97 [.235]	DETAIL A	DETAIL A	NATURAL	STD DRAM, 3.3 VOLT	5390172-4
TYPE	Y.Y	DIM_H	DIM_G REF	DIM_F REF	DIM_E ±.18[.007]	DIM_BA	KEY #1	KEY #2	EXTRACTOR COLOR	PART DESCRIPTION	PART NUMBER



SCALE 4:1
ISOMETRIC VIEW

DIMENSIONS: mm [INCHES]		TOLERANCES UNLESS OTHERWISE SPECIFIED:		DWN M. YEOMANS 12JAN05 ENR M. YEOMANS 12JAN05 APVD S. RYBKHOLDER 12JAN05		tyco Electronics Tyco Electronics Harrisburg, PA 17105-3608	
0 PLC ± 1 PLC ± 2 PLC ± 3 PLC ±0.13(.005) 4 PLC ± ANGLES ±		FINISH		PRODUCT SPEC APPLICATION SPEC WEIGHT CUSTOMER DRAWING		NAME SOCKET, DRO, RT ANGLE, VERSION 11, 168 POSITION, 17.78mm LOCKING EXTRACTORS (NO BARB)	
MATERIAL		FINISH		SIZE CAGE CODE DRAWING NO A 00779 C=5390172		RESTRICTED TO SCALE 4:1 SHEET 3 OF 3 REV A	